



Replace 200W A19 lamps. These universal voltage bulbs work on 120 or 277V for maximum flexibility across applications.

Color: White

Weight: 0.8 lbs

<b>Project:</b>	<b>Type:</b>
<b>Prepared By:</b>	<b>Date:</b>

Driver Info		LED Info	
Watts	23.50W	Input Voltage	120-277
Color Temp	5000K (Daylight)	Power Factor	>0.9
Lumens	2,050	Flicker	N/A
Efficacy	87.2 LPW	THDi	N/A
Color Accuracy	80 CRI	R9	
L70 Accuracy	40,000		

## Technical Specifications

### Technical Specifications

**Product Type:**

A-Line

**Bulb Shape:**

A23 E26

**Wattage:**

23.5W

**Wattage Equivalency:**

200WW Incandescent

**Typical Lumen Output:**

2050

**Efficacy:**

127 lm/W

**Color Temperature:**

5000K Daylight

**CRI:**

80

**Base Type:**

E26

**L70 Lifespan:**

40,000 hours

**Operating Temperature:**

-20°C - 45°C

**Dimmable:**

No

**Beam Angle:**

230°

**Warranty:**

5-Year, No-Compromise Warranty

**For Use in Emergency Fixtures:**

No

**For Use Outdoors in Open Fixtures:**

No

### Electrical Characteristics

**Input Voltage:**

120-277V

**Power Factor:**

>0.9

**Operating Frequency:**

60 Hz

## Technical Specifications (continued)

### Electrical Characteristics

**Input Current @ 120V:**

249mA

**Input Current @ 277V:**

108mA

**THDi:**

≤25%

### Listings

**UL Listed:**

Yes

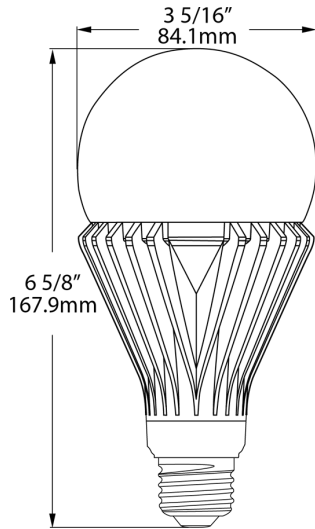
**UL Classified:**

Yes

**CEC Status:**

Not lawful for sale in California

## Dimensions



## Features

**UNIVERSAL BULBS:** Replace 60W, 125W, 200W and 300W incandescent lamps operated on 120V or 277V

**UNIVERSAL voltage bulbs** have high lumen packages for industrial and commercial applications

**ENERGY SAVINGS:** Save up to 85% on energy

**ENCLOSED FIXTURE RATED:** May be used in both enclosed and open fixtures

**DAMP RATED:** Suitable for damp locations

**SHATTERPROOF:** Plastic constructed bulbs ideal for rugged applications